

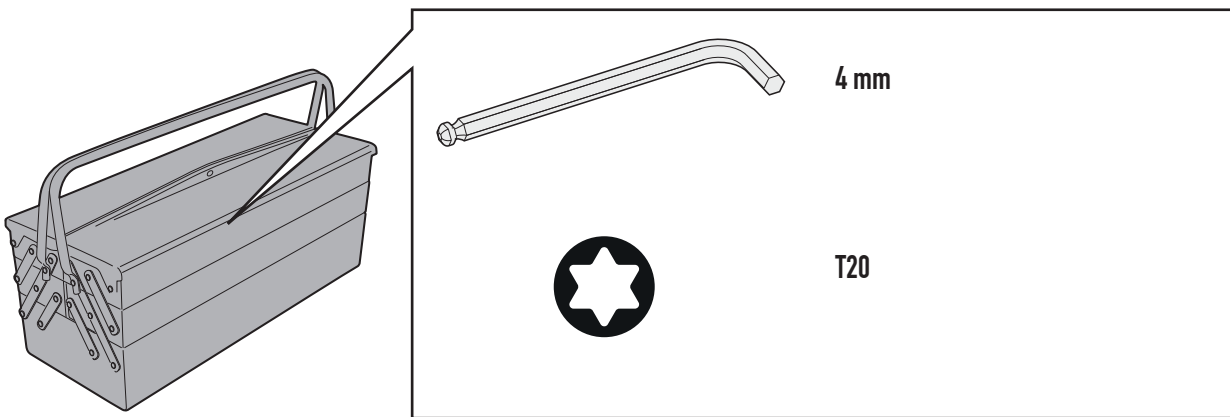
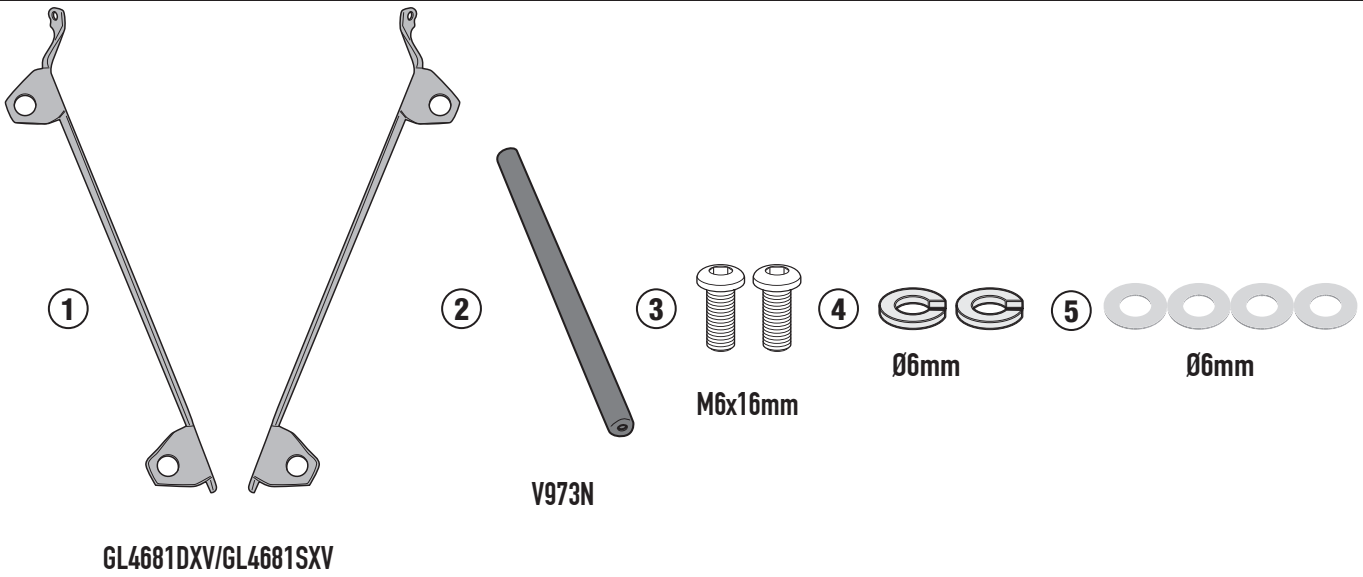
# FB7413 – KFB7413

Traversino – Fairing upper bracket – Support gps pour carenage – Barra –  
Halterung zur montage am windschild – Suporte  
**DUCATI MULTISTRADA V4 (2021)**

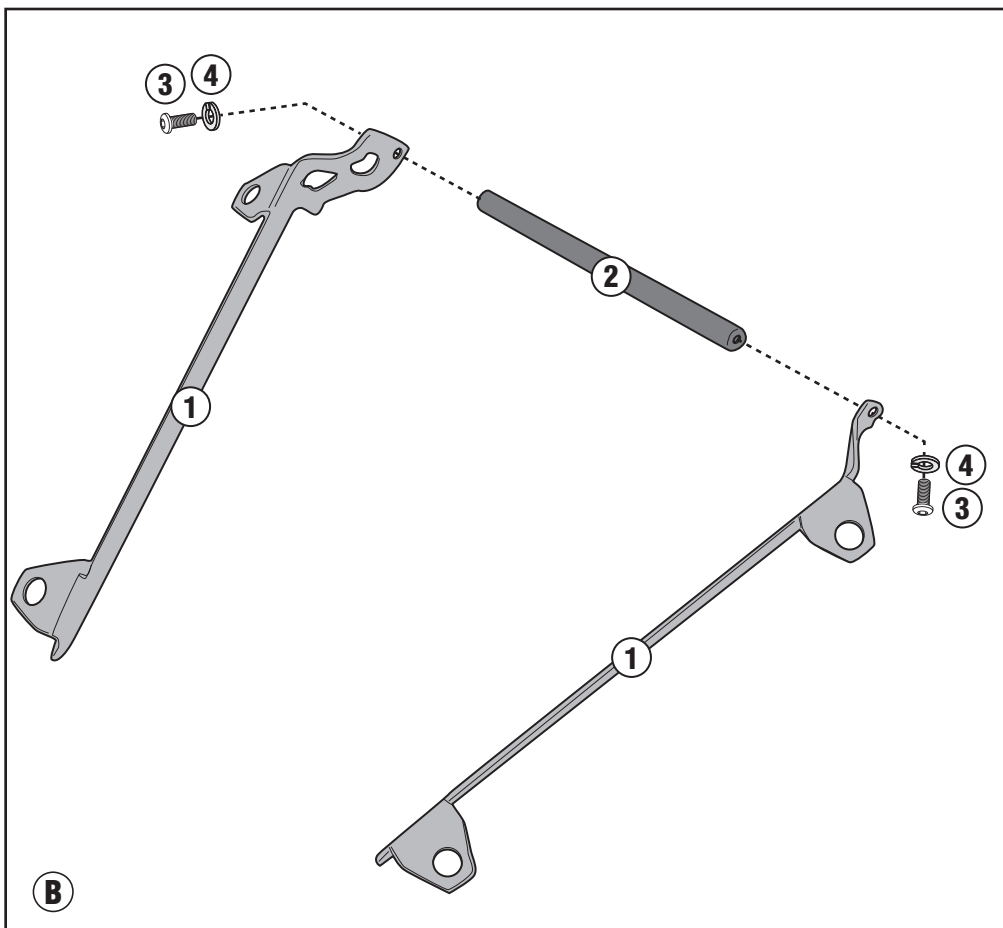
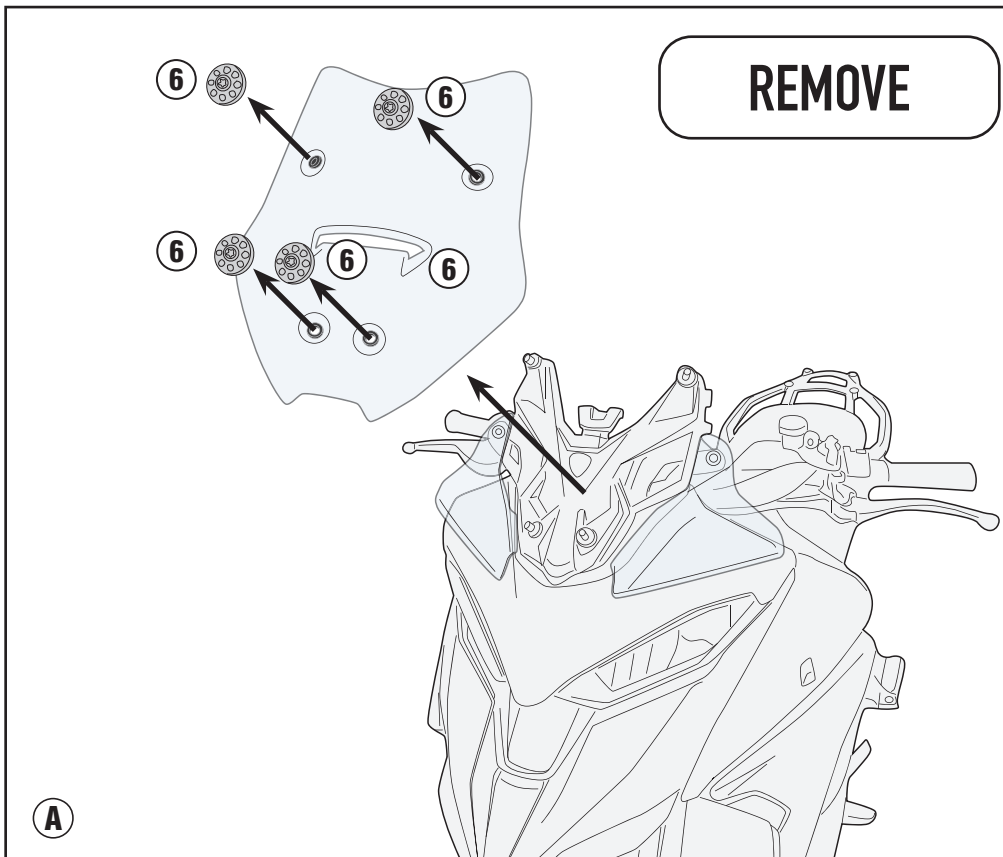
N°	Descrizione/Description	Caratteristiche/Features	Codice/Code	Quantità/Quantity
1	Supporto laterale - Lower frame Support latéral - Soporte lateral Untere Halterung - Suporte lateral	-	GL4681DXV GL4681S XV	2 (Right/Left)
2	Supporto - Support - Support Halterung - Soporte - Apoio	-	V973N	1
3	Vite - Screw Vis - Schraube Tornillo - Parafuso	TBEIFF M6x16	616TBEIFF	2
4	Rondella spaccata - Split washer Scheibe - Rondelle fendue Arandela seccionada - Arruela quebrada	Ø6mm	Z1063	2
5	Rondella - Washer Rondelle - Scheibe Arandela - Arruela	Ø6mm	6RON	4
6	Componenti Originali - Original Parts Parties Originales - Original Bauteile Componentes Originales - Componentes Originais	-	-	-

# FB7413 - KFB7413

Traversino - Fairing upper bracket - Support gps pour carenage - Barra -  
 Halterung zur montage am windschild - Suporte  
**DUCATI MULTISTRADA V4 (2021)**



**FB7413 - KFB7413**  
Traversino - Fairing upper bracket - Support gps pour carenage - Barra -  
Halterung zur montage am windschild - Suporte  
**DUCATI MULTISTRADA V4 (2021)**



**FB7413 - KFB7413**  
Traversino - Fairing upper bracket - Support gps pour carenage - Barra -  
Halterung zur montage am windschild - Suporte  
**DUCATI MULTISTRADA V4 (2021)**

