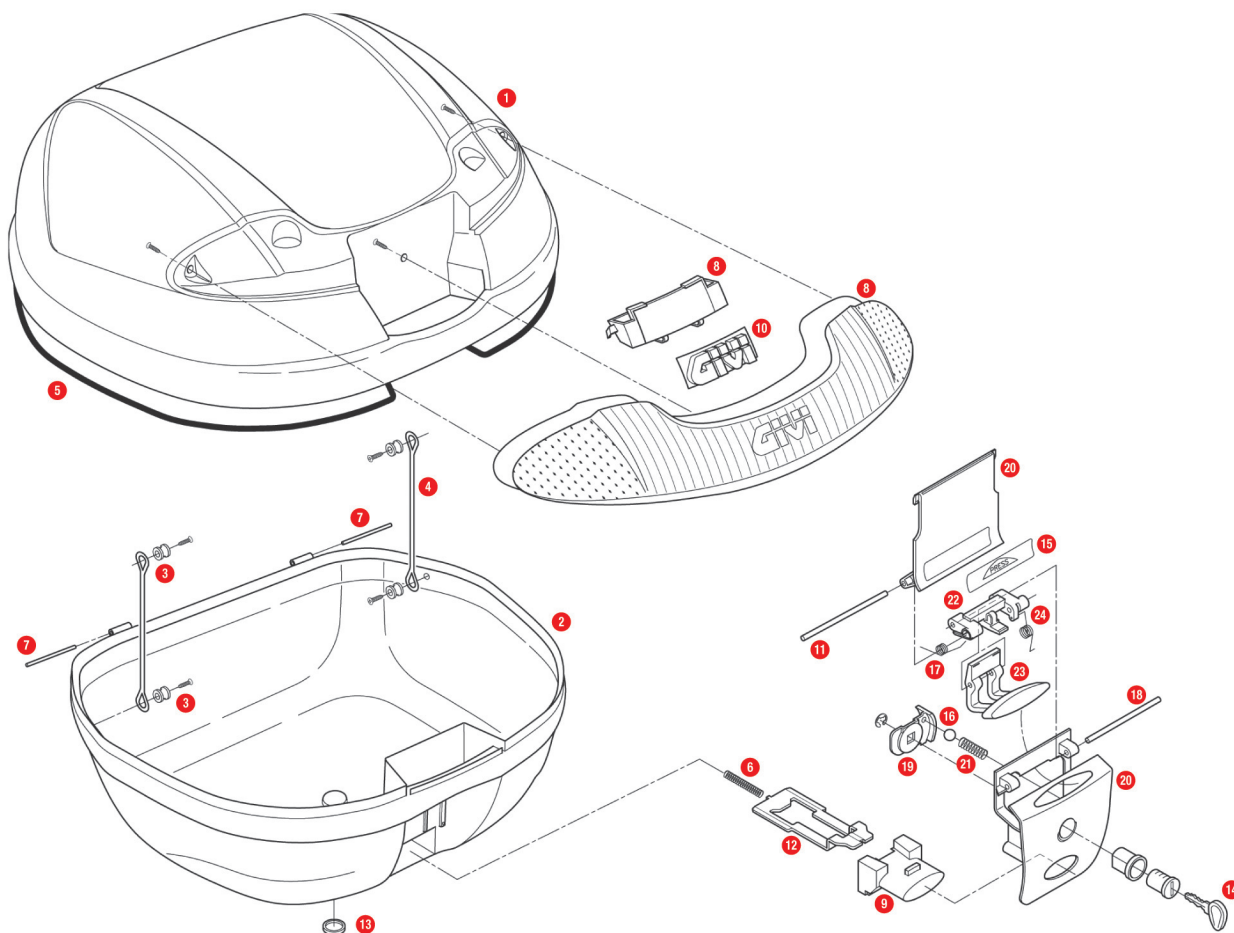


## E340 VISION / E340 VISION TECH



1	<b>Z340CNM</b>	E340 top-shell black
	<b>Z340CNTM</b>	E340 Tech top-shell black
2	<b>Z350FNM</b>	E350 - E340 - E370 bottom-shell black
	<b>Z350FNTM</b>	bottom-shell black (for Tech version)
3	<b>Z112R</b>	Red pulley, 4 pcs.
4	<b>Z115R</b>	Stop bag opening yarn, 2 pcs
5	<b>Z159R</b>	Bag lock lining, 1 pcs
6	<b>Z191R</b>	Push button spring, 1 pcs
7	<b>Z635R</b>	Pin. D. 04x48 mm, 2 pcs
8	<b>Z1648R</b>	Red reflector with silver Bottom-shell
	<b>Z1648FR</b>	Smocked reflector with silver Bottom-shell (for Tech version)
9	<b>Z645R</b>	Push button red
	<b>Z645CR</b>	Push button silver (for Tech version)
10	<b>Z229</b>	Chromed GIVI brand
11	<b>Z721R</b>	Pin. D. 04x85 mm
12	<b>Z761NR</b>	Bolt, 1 pcs

13	<b>Z1235</b>	Injection covering cap
	<b>Z641NM</b>	Lock set
14	<b>Z140R</b>	Key locks with corresponding bush with red handle
15	<b>Z409R</b>	Name holder, 1 pcs
16	<b>Z630</b>	Steel spheres D. 6
17	<b>Z632R</b>	Steel torsion spring
18	<b>Z637R</b>	Pin. D. 04x75 mm, (1 pcs)
19	<b>Z640R</b>	Plate below lock for standard key
	<b>Z4513R</b>	Plate below lock for Security Lock key
20	<b>Z641NR</b>	Black hinge
21	<b>Z648</b>	Cylinder spring
22	<b>Z643R</b>	Lock set element red, 1 pcs
23	<b>Z644R</b>	Opening push button, red, 1 pcs (for top case V46)
24	<b>Z647R</b>	Torsion spring, 1 pcs
	<b>Z641NTM</b>	Hinge stop (for Tech version)