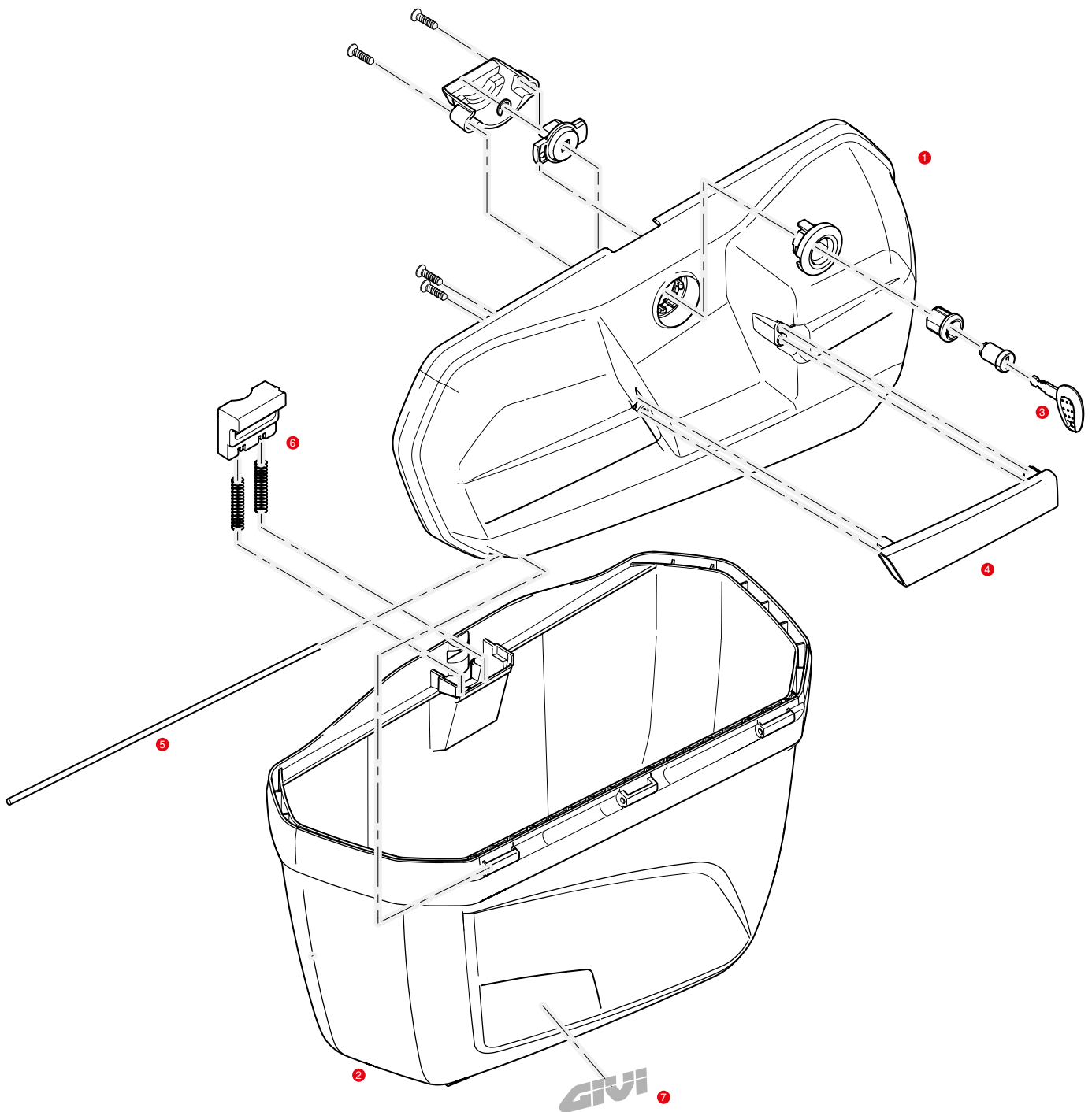


## E22



1	<b>Z22CNDXM</b>	E22 assembled top-shell black (right)
	<b>Z22CNSXM</b>	E22 assembled top-shell black (left)
2	<b>Z22FNDXM</b>	E22 right bottom-shell (assembled)
	<b>Z22FNSXM</b>	E22 left bottom-shell (assembled)
3	<b>Z4023R</b>	Closing system (for E22)

4	<b>Z4020R</b>	Pair of handles (for E22)
5	<b>ZS310R</b>	Connecting pin, bottom / lid (for E22)
6	<b>Z4025R</b>	Bolt + Bolt Springs (for E22)
7	<b>Z33R</b>	Adhesive Givi Logo