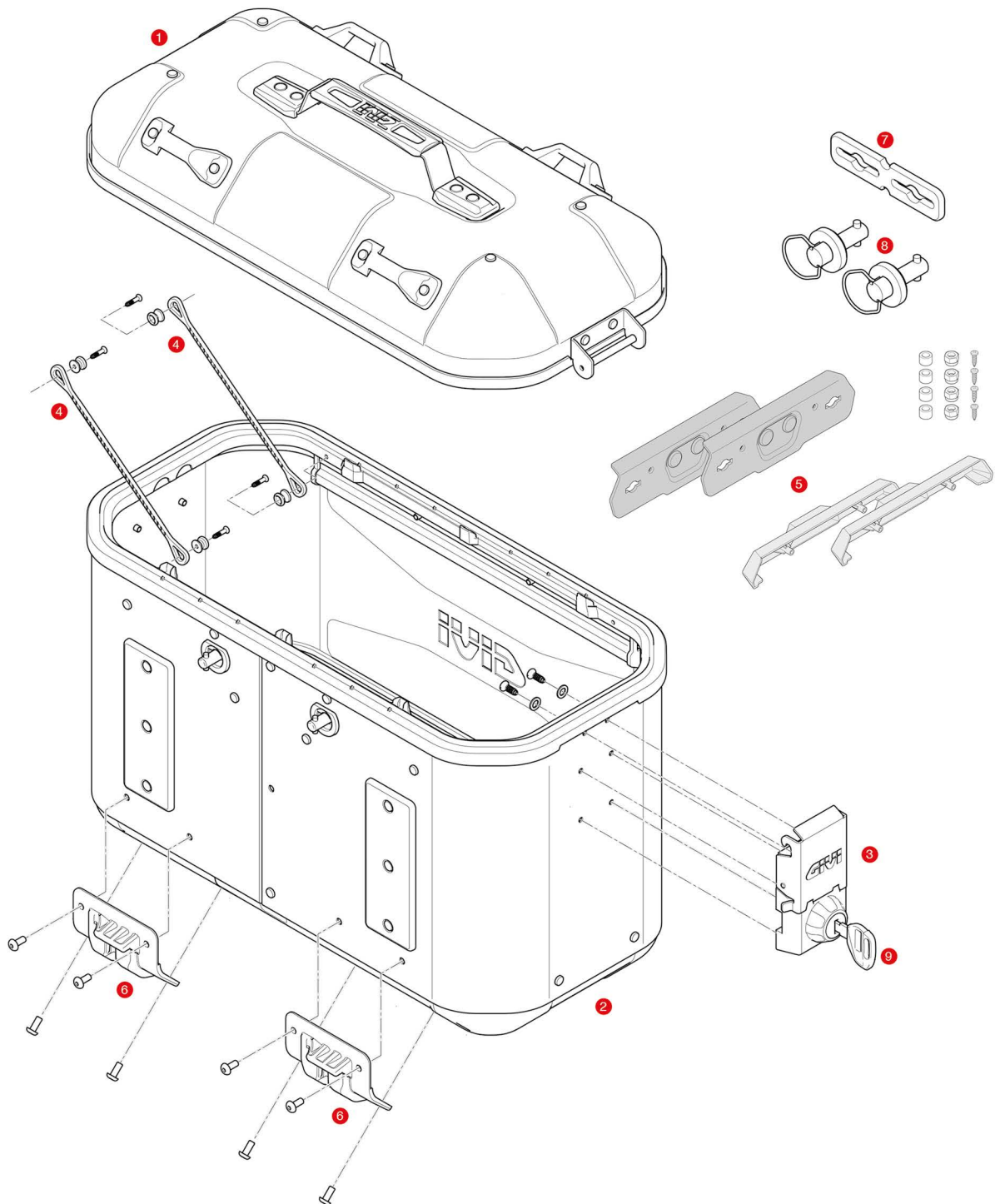


## DLM36 TREKKER DOLOMITI



1	<b>ZDLM36ALCM</b>	DLM36ASX assembled Top Shell in aluminium, left
	<b>ZDLM36ARCM</b>	DLM36ADX assembled Top Shell in aluminium, right
	<b>ZDLM36BLCM</b>	DLM36BSX black painted assembled Top Shell, left
	<b>ZDLM36BRCM</b>	DLM36BDX black painted assembled Top Shell, right
2	<b>ZDLM36ALFM</b>	DLM36ASX assembled bottom shell in aluminium, left
	<b>ZDLM36ARFM</b>	DLM36ADX assembled bottom shell in aluminium, right
	<b>ZDLM36BLFM</b>	DLM36BSX black painted assembled bottom shell, left
	<b>ZDLM36BRFM</b>	DLM36BDX black painted assembled bottom shell, right
3	<b>Z9133SXMR</b>	Left assembled hinge stop DLM36_SX

	<b>Z9133DXMR</b>	Right assembled hinge stop DLM36_DX
4	<b>Z599</b>	Nylon stop bag opening yarn
5	<b>DLM36KIT</b>	Spare parts mounting kit to mount DLM36 on PL/PLR
6	<b>Z9509R</b>	Fitting kit MONOKEY® DLM36
7	<b>Z9102R</b>	Lock/unlock key DLM36
8	<b>ST9034KITR</b>	Fitting screws DLM36
9	<b>SL101</b>	Security lock set including cylinder, 2 keys, bush and under lock platelets